

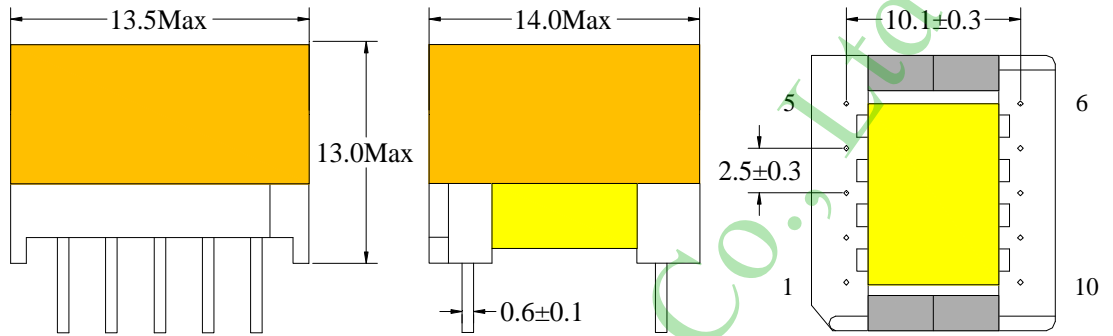


### High-frequency transformer

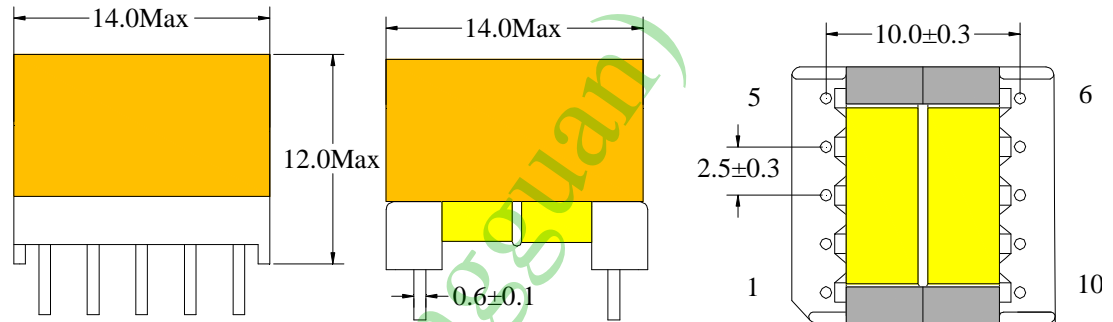
#### EP13 Series

#### Parameters/Dimensions:

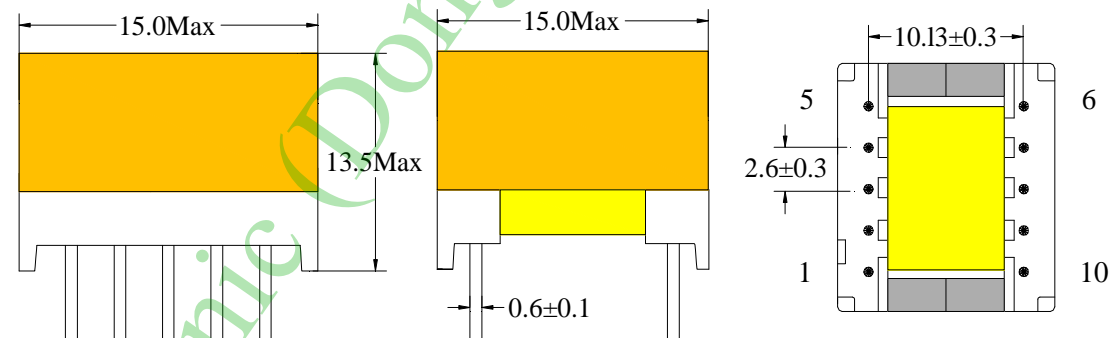
##### EP13 Type 1



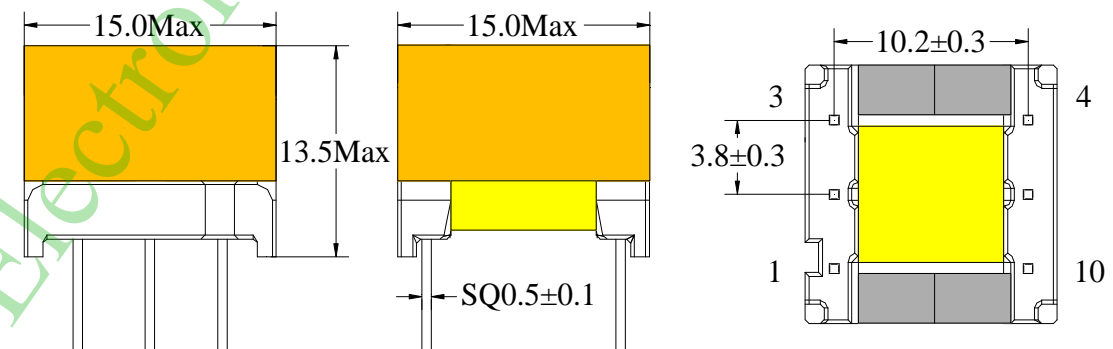
##### EP13 Type 2



##### EP13 Type 3



##### EP13 Type 4



#### Note:

Bobbin type listed in the traditional style, transformer design parameters to customer needs or to inject prevail.

#### EP series high-frequency transformer features:

With magnetic shielding effect, distributed capacitance, transmission attenuation low, high inductance, leakage inductance is small, the magnetic field distribution, etc., and a skeleton with multi-way connector, easy to design multi-output transformer.

#### Uses:

Broadband transformers, inductors, isolation transformers, matching transformers are widely used in PBX terminal and sophisticated electronic devices.